



10-16T DIESEL FORKLIFT



Heavy container forklift

DALIAN FORKLIFT TRUCK
1-45ton full range of forklift



Empty container forklift



10-45ton diesel forklift



5-10ton diesel forklift



1-3.5ton counter balance internal combustion forklift



Container reach-stacker



1-3.5ton electric forklift



Electric reach truck



Electric tractor



Internal combustion tractor

ISO9001:2008 ISO14001:2004 GB/T28001:2011
 Add: No.18 Yingxiang Street, Ganjingzi District, Dalian China
 Post code: 116036
 Tel: 0086-411-39576888
 Export Department Tel: 0086-411-39576800 39576801 39576802
 Fax: 0086-411-39576803
 Spare Parts Department Tel: 0086-411-84638974
 Fax: 0086-411-84640464
 Service Center Tel: 0086-411-39576809
 Fax: 0086-411-39576810
 Http://www.dalianforklift.com
 E-mail: (Export Center) export@dalianforklift.com
 (Domestic Center) trade@dalianforklift.com
 (Service Center) service@dalianforklift.com
 (Spare Parts) parts@dalianforklift.com



Scanning us by the code

DALIAN FORKLIFT CO., LTD.
 AAA CLASS CREDITABLE ENTERPRISE CHINA TOP 100 INDUSTRY ENTERPRISE
 ISO9001 QUALITY CERTIFICATE THE OUTSTANDING INDUSTRY BRAND

DALIAN FORKLIFT LIFT THE NEW WORLD
 COMMIT CUSTOMERS' NEED PURSUE THE EXCELLENCE.

CHINA FIRST SELF-PRODUCED 5T FORKLIFT WAS BORN HERE

DALIAN FORKLIFT CO., LTD. WAS FORMERLY STATE OWNED 'DALIAN GENERAL FORKLIFT FACTORY' THAT WAS SET UP IN 1968 AND WAS A HEAVY INDUSTRY FACTORY. IN 1998, THE FIRST CHINESE 5TON INTERNAL COMBUSTION FORK-LIFT WAS BORN HERE. SINCE THEN, DALIAN BECAME 'CHINESE FORKLIFT CRADLE' AND BRING STRONG TRACK RECORD TO CHINESE FORKLIFTS DEVELOPMENT.

THE PICTURES ARE FOR REFERENCE. PARDON NO NOTIFICATION. IF THERE ARE ANY PRODUCT INNOVATION FOR DETAILED INFORMATION, PLEASE CONTACT WITH US. (2015)

EDITION: 04/2015 2015/04/01



SCANNING US



WE ONLY FOCUS ON FORKLIFT



DALIAN
 FORKLIFT TRUCK ERGONOMICS
 Full equipped, Best performance, High efficiency,
 Safe and reliable

10-16T C Series Forklift Advantage



1. Power units

CUMMINS engine from USA with compress tube, piston cooling can make burning chamber temperature under control. Excellent balance make it run in no vibration, lowest fuel consumption and sound, easy start, long life durability, EURO III emission .

2. Auto electric control gear shift

Sliding scale shift DANA transmission imported from USA, consisted of hydraulic torque convertor and gear box with each 3-shift forward\backward. CPU APC200 automaticly adjust and monitor the shift according to driving condition with clearly shift display on the screen for easy, safe operation. It also has electric control inch-shift function.

3. Hydraulic system

Full hydraulic load sensor with steering priority device, applied with world top brand of components, ensure the execute parts precisely, reliably work in order. The mast lifting and tilting, attachments moving are controlled by electric-hydraulic system; attachments like side shift, fork shift are controlled by electric system. This design can largely reduce operator's tire and increase work efficiency.

4. Steering axle

Transverse set steering cylinder ensures the forklift a powerful steering force under any conditions, and minimize the resistance of tyres swing and steering. Reasonable design of steering trapezium largely reduce the abration of tyres.

5. Mast

"CJ" type wide view mast has high strength and rigidity, avoids distorting under complicated, execrable condition and extends the durability. The rollers'surface were specially treated for long time unworn.

6. Driving axle

High strength axle shell can bear heavy load and complicated bed working conditions with the stress come from impactive load, more reliable and safety, long time durability.

7. Cabin

Optimised layout with wide space and clear view, ergonomically designed driver seat and control joysticks inside, Dalian cabin offers an easy, flexible, and comfortable operating conditions. Optional Gramma seat adjustable forward, backward, vertical up and down, also adjustable to operator's height and weight by spring suspended and air pressure damped. Compact combined meter with excellent layout include steering column and steering wheel, and steering wheel is adjustable forward and backward, leaves enough space for operation, check and maintenace. Optional air conditioner or heater can make more comfortable operating environment. The forklifts with imported OE parts have cabin over turning system, very convenient for future repairing, checking routine maintenance.

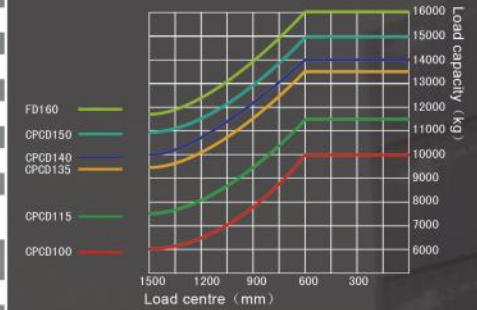
10-16T B Series Forklift Advantage

10-16T B series of forklift applied with Deutz-Dalian diesel turb engine, strong power, reliable performance, lower maintenance cost, meet China II emission standard, can satisfy most customers' need.

10-16T B series of forklifts applied mechanical gear shift box with Dalian property right technology with 2-forward and 2-backward shift, stable performance, reliable operation, easy maintenance.

Model	CPCD100		CPCD115		CPCD135		CPCD140		CPCD150		FD160		
Code	CD-B	CD-FC	CD-B	CD-FC	CD-B	CD-FC	CD-B	CD-FC	CD-QB	CD-QFC	CD-QB	CD-QFC	
Load capacity	10000		11500		13500		14000		15000		16000		
Load centre	600												
Height of mast, extended	5540												
Max. lifting height	4000												
Height of mast lowered	3540												
Length to fork face	4320	4345	4400	4425	4550	4580	4605	4630	4840		4890		
Height of overhead guard	2835	2950	2835	2950	2875	2990	2875	2990	2875	2990	2875	2990	
Overall width	2370												
Fork dimensions H/I/J	1500/80/175												
Wheel base	2800	2850	2800	2850	2800	2850	2800	2850			3100		
Min. under clearance	240												
Min. turning radius	4000		4080		4160		4210		4550		4600		
Min. intersecting aisle	3580												
Mast tilt, forward/ backward	6/12												
Mast type	2-stage ST mast/ 2-stage full free lift mast												
Fuel oil	Diesel												
Lifting and lowering speed (with/without load)	320 (340) /s600 (≥300)				290 (310) /s600 (≥300)				270 (310) /s600 (≥300)				
Max. driving speed (with/without load)	25/27												
Max. gradeability	12/15												
Tire type	Pneumatic												
Battery capacity	v/Ah												
Engine model	CA6DE1	QSB6.7	CA6DE1	QSB6.7	CA6DE1	QSB6.7	CA6DE1	QSB6.7	CA6DE1	QSB6.7	CA6DE1	QSB6.7	
Transmission	Domestic	DANA TE10	Domestic	DANA TE10	Domestic	DANA TE10	Domestic	DANA TE10	Domestic	DANA TE10	Domestic	DANA TE10	
Type of shift control	Hydraulic transmission	Electric control shift	Hydraulic transmission	Electric control shift	Hydraulic transmission	Electric control shift	Hydraulic transmission	Electric control shift	Hydraulic transmission	Electric control shift	Hydraulic transmission	Electric control shift	
Fuel tank capacity	L	240	215	240	215	240	215	240	215	240	300	240	300
Service weight	kg	14900		15400		17500		17750		17800		18300	

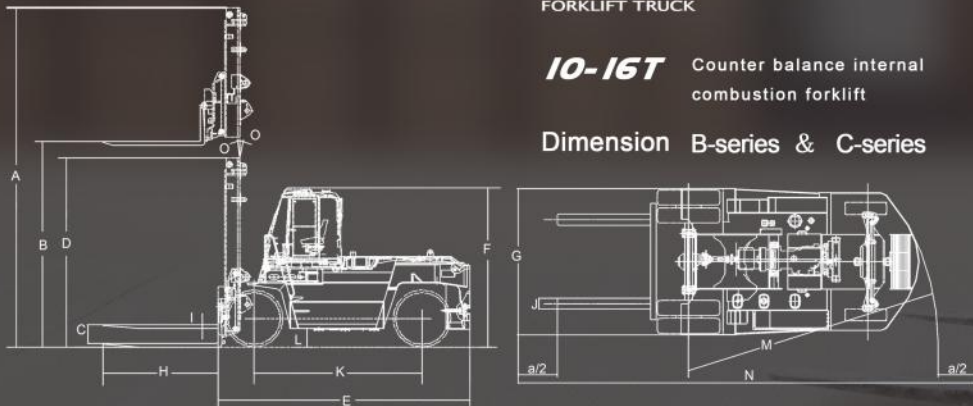
10-16T Counter balance internal combustion forklift
Load curve graph



DALIAN
FORKLIFT TRUCK

10-16T Counter balance internal combustion forklift

Dimension B-series & C-series



DALIAN
FORKLIFT TRUCK



Mast	2SP30	2SP35	2SP45	2SP50	2SP55	2SP60	2SP65	2SP70	2FP40
Engine	CA6DE1	QSB6.7							
Tire	Pneumatic	Solid tire							
Attachments	Ram	Tire clamp							
Engine									
Model	Code	Engine model	Manufacturer	Main data			Fuel consumption (g/kwh)	remark	
				Rated output	Max. torque	Bore diameter/ bore pcs/ displacement			
CPCD100/115/135/140	CD-B	CA6DE1	Deutz-Dalian	124/2200	600/1400	106/6/6.618	225		
	CD-FC	QSB6.7	Cummins	138/2500	780/1500	107/6/6.7	220		
CPCD150 FD160	CD-QB	CA6DE1	Deutz-Dalian	124/2200	600/1400	106/6/6.618	225		
	CD-QFC	QSB6.7	Cummins	138/2500	780/1500	107/6/6.7	220		
CPCD100、CPCD115									
Mast type	Mast code	Max. lifting height (mm)	Height of mast (mm)		Load capacity (T)				
			Mast retracted	Mast extended	Load centre 600mm				
2-stage mast	Standard	2SP40	4000	3540	5540	10T	11.5T		
		2SP30	3000	3040	4540	10T	11.5T		
	Special lifting mast	2SP35	3500	3290	5040	10T	11.5T		
		2SP45	4500	3790	6040	9.5T	11T		
		2SP50	5000	4040	6540	9T	10.5T		
		2SP55	5500	4290	7040	8.5T	10T		
		2SP60	6000	4540	7540	8T	9.5T		
		2SP65	6500	4790	8040	7.5T	9T		
	2SP70	7000	5040	8540	7T	8.5T			
	CPCD135、CPCD140								
Mast type	Mast code	Max. lifting height (mm)	Height of mast (mm)		Load capacity (T)				
			Mast retracted	Mast extended	Load centre 600mm				
2-stage mast	Standard	2SP40	4000	3884	5884	13.5T	14T		
		2SP30	3000	3384	4884	13.5T	14T		
	Special lifting mast	2SP35	3500	3634	5384	13.5T	14T		
		2SP45	4500	4134	6384	13T	13.5T		
		2SP50	5000	4384	6884	12.5T	13T		
		2SP55	5500	4634	7384	12T	12.5T		
		2SP60	6000	4884	7884	11.5T	12T		
		2SP65	6500	5134	8384	11T	11.5T		
	2SP70	7000	5384	8884	10.5T	11T			
	CPCD150、FD160								
Mast type	Mast code	Max. lifting height (mm)	Height of mast (mm)		Load capacity (T)				
			Mast retracted	Mast extended	Load centre 600mm				
2-stage mast	Standard	2SP40	4000	3884	5884	15T	16T		
		2SP30	3000	3384	4884	15T	16T		
	Special lifting mast	2SP35	3500	3634	5384	15T	16T		
		2SP45	4500	4134	6384	14.5T	15.5T		
		2SP50	5000	4384	6884	14T	15T		
		2SP55	5500	4634	7384	13.5T	14.5T		
		2SP60	6000	4884	7884	13T	14T		
		2SP65	6500	5134	8384	12.5T	13.5T		
	2SP70	6000	5384	8884	12T	13T			