



**15-45T DIESEL FORKLIFT**



Heavy container forklift

**DALIAN FORKLIFT TRUCK**  
1-45ton full range of forklift



Empty container forklift



10-45ton diesel forklift



5-10ton diesel forklift



1-3.5ton counter balance internal combustion forklift



Container reach-stacker



1-3.5ton electric forklift



Electric reach truck



Electric tractor



Internal combustion tractor

ISO9001:2008 ISO14001:2004 GB/T28001:2011  
 Add: No.18 Yingxiang Street, Ganjingzi District, Dalian China  
 Post code: 116036  
 Tel: 0086-411-39576888  
 Export Department Tel: 0086-411-39576800 39576801 39576802  
 Fax: 0086-411-39576803  
 Spare Parts Department Tel: 0086-411-84638974  
 Fax: 0086-411-84640464  
 Service Center Tel: 0086-411-39576809  
 Fax: 0086-411-39576810  
 Http://www.dalianforklift.com  
 E-mail: (Export Center) export@dalianforklift.com  
 (Domestic Center) trade@dalianforklift.com  
 (Service Center) service@dalianforklift.com  
 (Spare Parts) parts@dalianforklift.com



Scanning us by the code

**DALIAN FORKLIFT CO., LTD.**  
 AAA CLASS CREDITABLE ENTERPRISE CHINA TOP 100 INDUSTRY ENTERPRISE  
 ISO9001 QUALITY CERTIFICATE THE OUTSTANDING INDUSTRY BRAND

**DALIAN FORKLIFT LIFT THE NEW WORLD**  
 COMMIT CUSTOMERS' NEED PURSUE THE EXCELLENCE.

**CHINA FIRST SELF-PRODUCED 5T FORKLIFT WAS BORN HERE**

DALIAN FORKLIFT CO., LTD. WAS FORMERLY STATE OWNED 'DALIAN GENERAL FORKLIFT FACTORY' THAT WAS SET UP IN 1948 AND WAS A HEAVY INDUSTRY FACTORY. IN 1968, THE FIRST CHINESE 5TON INTERNAL COMBUSTION FORK-LIFT WAS BORN HERE. SINCE THEN, DALIAN BECAME 'CHINESE FORKLIFT CRADLE' AND BRING STRONG TRACK RECORD TO CHINESE FORKLIFT'S DEVELOPMENT.

THE PICTURES ARE FOR REFERENCE. PARDON NO MISTAKE. IF THERE ARE ANY PRODUCT INNOVATION FOR DETAILED INFORMATION, PLEASE CONTACT WITH US. (2015)

EDITION: 04/2015 2014-09-10-0508



SCANNING US





DALIAN FORKLIFT CO.,LTD  
Focus on forklift **70** years



May choose "Hang-on" type backrest

Wide vision , High strength mast

Safe and efficient hydraulic system

Comfortable and safe driver cabin

Transverse cylinder" type steering axle

Famous imported engine configuration

German imports of drive axle configurations

Automatic electronic control gearbox

DALIAN  
FORKLIFT TURCK

**15-45T** Counter Balance type  
Internal-combustion forklift  
**DALIAN** E R G O N O M I C S  
FORKLIFT TURCK  
Rich configuration , Strong performance ,  
efficient , safe and reliable

**15-45T** Series of counter balance internal-combustion forklift introduction

**1. Engine Power**

Choose imported water cooled, six cylinder, four stroke, high torque low speed diesel engine in which have the characteristic of low fuel consumption, low noise, easy to start, durable and reliable. The emission comply to America and Europe current emission rules.(Euro III or Euro II),easy to repair and maintain. With modern fuel injection system, integrated oil cooler and all maintenance point is located in one side of the engine, make the maintenance work in extremely convenient.

**2. Automatic electronic control gearbox**

Gearbox is imported from American DANA corporation with its characteristic of fixed axle type of automatic electric power shift gearbox, with three forward gear and three reverse gear.APC 122 CPU can automatically adjust the gear according to driving and to monitor the whole process of shifting. Display screen can display the gear operation with its safe and reliability.

**3. Hydraulic system**

Adopt double oil pump supply system to improve the forklift lifting speed, improve the working efficiency. With full hydraulic pressure sensor, priority to steering mechanism, optimize the component from both home and abroad to insure the various components are normal and accurate at work.All operation with electro-hydraulic control, including lifting and lowering of the mast, front and rear tilt, side shift, fork positioner etc. And this makes the operation are more convenient, in the meanwhile it reduce the driver fatigue and effectively improve the working efficiency.

**4. Steering axle**

Using "Transverse cylinder" type steering axle to ensure the forklift truck work in any conditions can have plenty of steering control power to steering. Minimize the deflection of the wheel and steering resistance. The trapezoidal design of the steering is reasonable because it can minimize the tire wear.

**5. Mast**

Using "CJ" type, wide view mast, high strength, strong rigidity. In complex and bad working condition, the mast is not deformed, prolong the service life of the mast. Provide the driver with good vision. The surface of the mast roller have special processing to guarantee the long term anti-wear usage.

**6. Drive axle and brake system**

Adopt German import with fully enclosed wet-type brake drive axle, the axle is oil cooling type with hydraulic control hand brake type. The shell of the axle with its high strength, large loading capacity and long service life. Installed the buzzer alarm for brake pressure insufficient and protection device for gearbox out of gear while braking.

**7. Cabin**

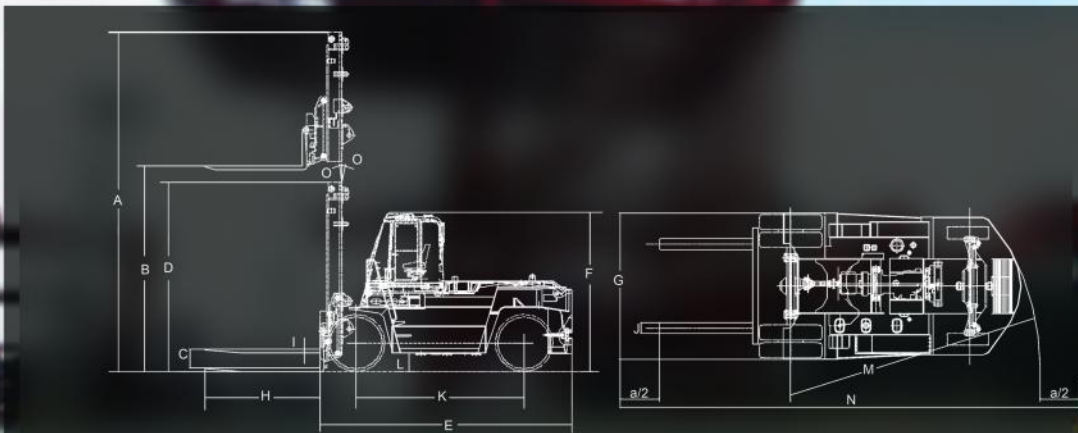
Cabin is spacious and bright with wide view. The seat and operation handle are designed with ergonomics with adjustable armchair in which can adjust from front, rear, higher and lower.At the bottom of the seat installed pressure absorb device, COBO combination meter, beautiful appearance, compact size, contain direction pipe and control panel. The adjustable control panel provide spacious space for checking and maintenance of the machine. Can equip the forklift with air conditioner to create a comfortable working environment for driver. In the meanwhile increase the cabin tilting system to facilitate future maintenance.

**8. Hang-on" type backrest**

Can choose "hang-on" type backrest, this kind of backrest adopt the backrest form of Kalmar forklift truck with its convenience for installation and easy interchanges of the forks and ram.(non-standard configuration).



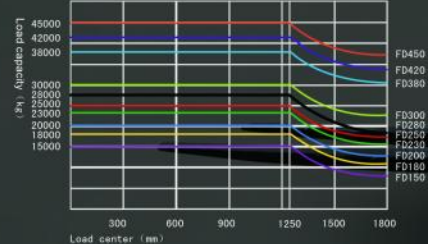
Model		FD150	FD180	FD200	FD230	FD250	FD280	FD320	FD380	FD420	FD450										
Code		F-DB	F-C	F-DB	F-C	F-DB	F-C	F-DB	F-C	F-DB	F-C										
Load capacity	kg	15000		18000		20000		23000		25000		28000		32000		38000		42000		45000	
Load center	mm	1250																			
Height of mast, extended	A mm	6150		6470				6700				7020				7650					
Max. lifting height	B mm	4000																			
Free lift	C mm	0																			
Height of mast lowered	D mm	4150		4470				4700				5020				5650					
Length to fork face	E mm	5730	5980	5830	6080	5830	6080	7340	6840	7340	6840	7510	7550	7510	7550	8265					
Height of overhead guard	F mm	3560	3440	3620	3500	3620	3500	3600	3500	3600	3500	3800	3650	3800	3650	4800					
Overall width	G mm	3100	3200	3200				3230	3232	3230	3232	3670				4130					
Fork dimensions H/I/J	H/I/J mm	1800/92/250		1800/96/260				1800/105/310				1800/116/300		1800/120/300		1800/135/380					
Wheel base	K mm	3750	4000	3750	4000	3750	4000	4500				4800				5500					
Min. under clearance	L mm	260											370		380		380				
Min. turning radius	M mm	5400	5650	5500	5750	5500	5750	6070				6800		8600		8600					
Min. intersecting aisle	N mm	4820	5070	4860	5110	4860	5110	4920				4990		7700							
Mast tilt, forward/backward	O °	6/12																			
Mast type		2-stage ST mast																			
Fuel oil		Diesel																			
Lifting and lowering speed (with/without load)	mm/s	320/≤600 (340/≥300)		310/≤600 (290/≥300)				320/≤600 (350/≥300)				205/220	280/300	205/220	280/300	205/≤600 (220/≥300)					
Max. driving speed (with/without load)	km/h	28/30				31/33				30/32				25/27							
Max. gradeability	%	20/25																			
Tire type		12.00-24-18PR				14.00-24-24PR				16.00-25-28PR				18.00-25-40PR							
Battery capacity	v/Ah	2 × 12/150											2 × 12/200								
Engine model		TAD552VE	QSB6.7	TAD552VE	QSB6.7	TAD552VE	QSB6.7	TAD851VE	QSC8.3	TAD851VE	QSC8.3	TAD851VE	QSC8.3	TAD851VE	QSC8.3	QSM11					
Transmission		ZF 3WG171/ZF 3WG211/DANA HR32000/DANA TE17											DANA HR36000								
Type of shift control		Electric control shift3/3											Electric control shift4/4								
Fuel tank capacity	L	430	300	430	300	430	300	480				480	600	480	600	580					
Service weight	kg	25000		27200		29980		34000		35300		42000		44000		60000		62000		64000	



Dimension B-series & C-series

**DALIAN**  
FORKLIFT TRUCK

Load curve graph 15-45T DIESEL FORKLIFT



15-45T DIESEL FORKLIFT





**15-45T DIESEL FORKLIFT**

**DALIAN**  
FORKLIFT TURCK

Mast	15-25T 2-stage full free lift mast				
Engine	TAD552VE	TAD851VE	QSB6.7	QSC8.3	QSM11
Tire	15-25T solid tire		Vacuum tire		
Attachments	Ram				

Model	Code	Engine	Manufacturer	Main data			Fuel consumption	Remark
				Rated (kW/rpm)	Max. torque (Nm/rpm)	Bore diameter/Bore position / Displacement (mm/L)		
FD150-200	F-DB	TAD552VE	Volvo	160/2200	910/1450	110/4/5.13	225	
FD230-320	F-DB	TAD851VE	Volvo	185/2200	1180/1350	110/6/7.7	225	
FD150-200	F-C	QSB6.7	CUMMINS	179/2500	987/1500	107/6/6.7	230	
FD230-320	F-C	QSC8.3	CUMMINS	179/2200	1085/1500	114/6/8.3	220	
FD380-450	F-C	QSM11	CUMMINS	250/2100	1674/1400	125/6/10.8	220	



mast equipments Technical specifications						
Mast type	Mast code	Model	Max lifting height(mm)	Height of mast(mm)		
				Mast at lowered	Mast extended	
2-stage mast	Standard	2SP	FD150	4000	4150	6150
			FD180	4000	4470	6470
			FD200	4000	4470	6470
	Special lifting mast	2SP	FD150	3000	3650	5150
				3500	3900	5650
				5500	4900	7650
				6000	5150	8150
				6600	5450	8750
				6000	5150	8150
			FD180	3000	3970	5470
				3500	4220	5970
				5500	5220	7970
			FD200	6000	5470	8470
				6800	5770	9070
				3000	3970	5470
	Standard	2SP40	FD230	4000	4700	6700
			FD250	4000	4700	6700
			FD280	4000	5020	7020
Special lifting mast	2SP50	FD230	5000	5200	7700	
		FD250	5000	5200	7700	
		FD280	5000	5520	8020	
Standard	2SP40	FD320	5000	5520	8020	
		FD380	4000	5650	7650	
		FD420	4000	5650	7650	
Special lifting mast	2SP35	FD450	4000	5650	7650	
		FD380	3500	5400	7150	
		FD420	3500	5400	7150	
			FD450	3500	5400	7150