

**Heavy-Duty FORKLIFT TRUCKS**

**10-16 ton**

**FD100-3H FD115-3 FD120-3 FD135-3**  
**FD150S-3 FD160S-3**



# Reliable maneuverability & safety. Superb performance under hard working conditions.



- Three Speed Automatic Transmissions**  
By automated speed control, you can comfortably drive the truck just same as passenger cars.
- (A) Finger Touch Shift Lever**  
Soft touch lever changes, achieved by magnetic valves.
- (B) Easy Drive Mode Selections**  
Interchangeable by simple switch operations between power mode (1st → 2nd → 3rd gear) and economy mode (2nd → 3rd gear)
- (C) Constant Travel Speed**  
By a dial switch, able to get the most suitable speed you require. (1st, 2nd, and automatic changing speeds)
- (D) Combined Type Switch Lever**  
(Lighting and Turn Signal)  
Turn-signal with self-cancelling mechanism
- (E) Electric Parking Brake System**  
Brake to be easily on by soft-touch electric switch (Only 0.5kg)

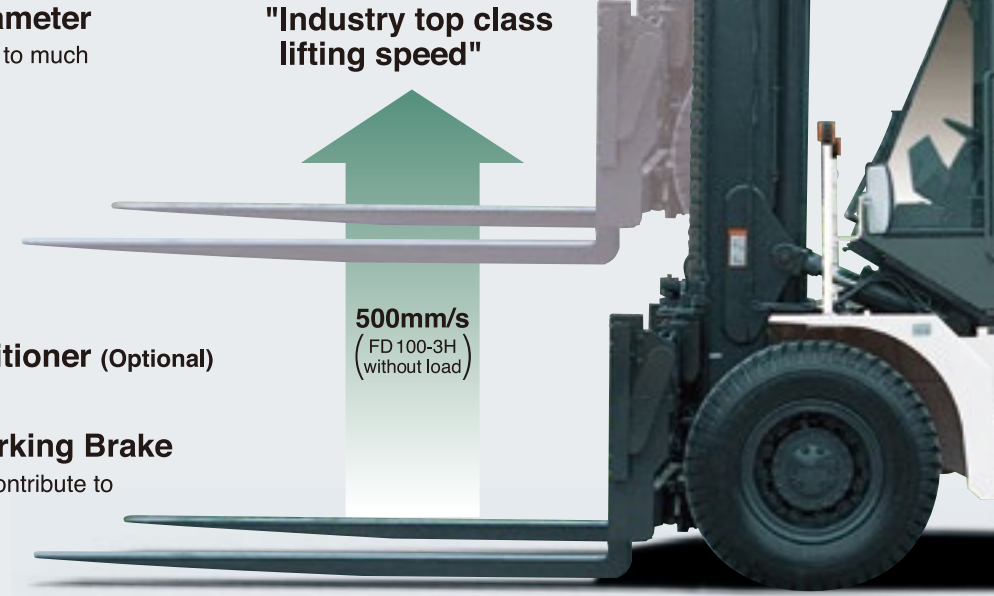
**Improved Visibility by Pillar-less Cabin (Optional)**  
No front nor rear pillars secure wider visibility. Front visibility improved by 10 percent. (compared to conventional models)

No pillar cabin substantially contributes to increasing safety cargo handlings as well as travelling.



**Large Capacity Air Conditioner (Optional)**  
Cooling capacity:4000kcal/h

**Dependable Wet-Disc Parking Brake**  
No pad adjustments substantially contribute to saving of maintenance cost.



# Innovated Engine

It complies with the second stage emission controls.

## Powerful Engine

114kW(155PS)/2000r.p.m  
537N·m (54.8kgf·m)1800r.p.m



## Improved Drawbar Pull and Gradeability!

### Max. Drawbar Pull

**122kN (12,500kgf)  
(27,560lbf)**

(FD100-3H with load)

### Gradeability at 1.6km/h (1mph)

**47%(25.2°slope)**

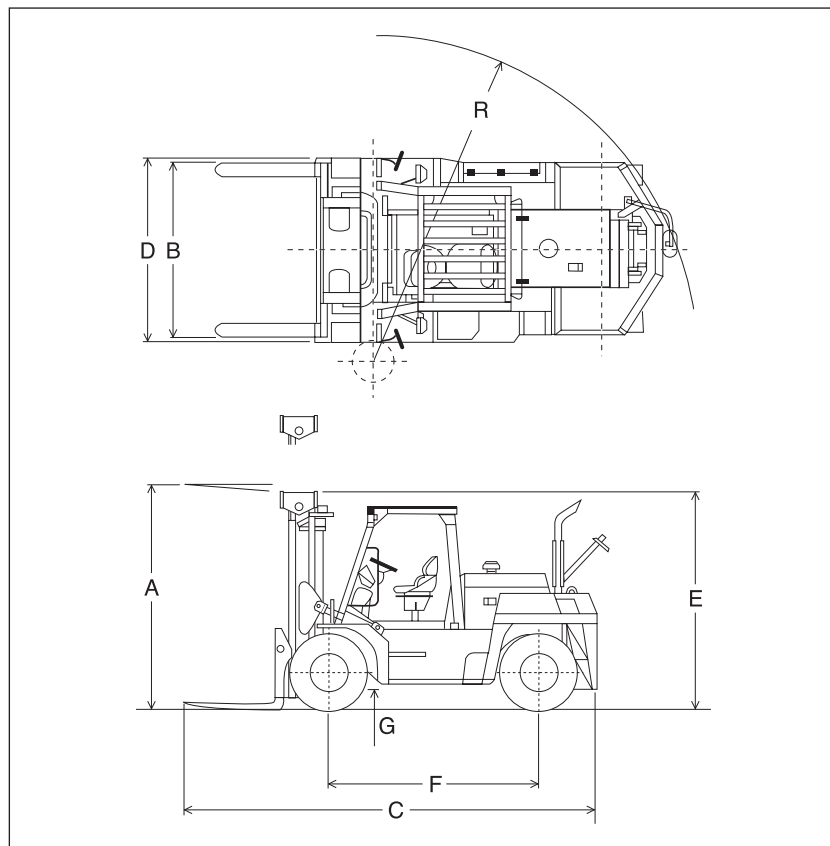
(FD100-3H with load)



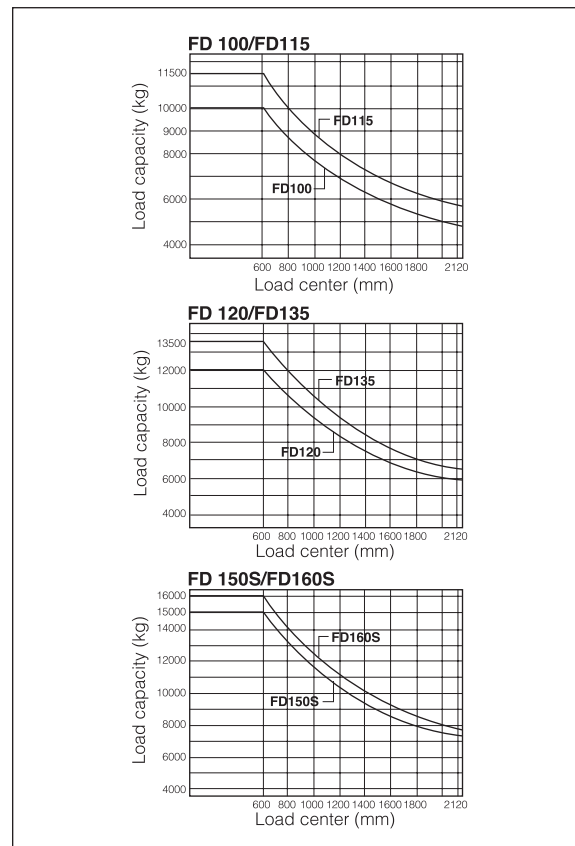


- UniCarriers Corporation retains the right to change these products and specifications without incurring any obligation relating to such changes.
- These products and specifications are subject to change without notice.
- Photos and illustrations may or may not include optional equipment and accessories
- Produced in ISO certified factory.

## Dimensions



## Load Charts



## Standard Specifications

Model		FD100-3H	FD115-3	FD120-3	FD135-3	FD150S-3	FD160S-3	
Performance	Load capacity	kg (lbs)	10000 (22000)	11500 (25500)	12000 (26500)	13500 (30000)	15000 (33000)	16000 (35000)
	Load center	mm (in)	600 (24)	600 (24)	600 (24)	600 (24)	600 (24)	600 (24)
	Maximum fork height	mm (in)	A 3000 (118.1)	3000 (118.1)	3000 (118.1)	3000 (118.1)	3000 (118.1)	3000 (118.1)
	Lifting speed : with load	mm/s (fpm)	460 (90.5)	450 (88.6)	450 (88.6)	350 (68.9)	340 (66.9)	340 (66.9)
	Mast tilt angle : forward / backward	deg	6 / 12	6 / 12	6 / 12	6 / 12	6 / 12	6 / 12
	Max. Travel speed	km/h (mph)	34 (21.1)	34 (21.1)	34 (21.1)	34 (21.1)	34 (21.1)	34 (21.1)
	Lateral fork adjustment (outside)	mm (in)	B 400 ~ 2140 (15.7~84.3)	400 ~ 2140 (15.7~84.3)	400 ~ 2140 (15.7~84.3)	470 ~ 2210 (18.5~87.0)	470 ~ 2210 (18.5~87.0)	470 ~ 2210 (18.5~87.0)
	Turning radius (outside)	mm (in)	R 4000 (157.5)	4000 (157.5)	4000 (157.5)	4300 (169.3)	4300 (169.3)	4450 (175.2)
Gradeability : with load (1.6km/h)	%	47	39	38	33	30	29	
Dimensions & Weight	Overall length : with fork	mm (in)	C 5490 (216.1)	5505 (216.7)	5505 (216.7)	5775 (227.4)	5775 (227.4)	5920 (233.1)
	: without fork	mm (in)	4285 (168.7)	4285 (168.7)	4285 (168.7)	4545 (178.9)	4545 (178.9)	4685 (184.4)
	Fork size : L x W x T	mm (in)	1220 x 180 x 75 (48.0 x 7.1 x 3.0)	1220 x 180 x 90 (48.0 x 7.1 x 3.5)	1220 x 180 x 90 (48.0 x 7.1 x 3.5)	1220 x 200 x 85 (48.0 x 7.9 x 3.3)	1220 x 200 x 85 (48.0 x 7.9 x 3.3)	1220 x 200 x 90 (48.0 x 7.9 x 3.5)
	Overall width	mm (in)	D 2240 (88.2)	2280 (89.8)	2280 (89.8)	2360 (92.9)	2360 (92.9)	2360 (92.9)
	Overall height : mast	mm (in)	E 2895 (114.0)	2915 (114.8)	2915 (114.8)	3150 (124.0)	3150 (124.0)	3150 (124.0)
	: overhead guard	mm (in)	2740 (107.9)	2755 (108.5)	2755 (108.5)	2775 (109.3)	2775 (109.3)	2775 (109.3)
	Wheelbase	mm (in)	F 2800 (110.2)	2800 (110.2)	2800 (110.2)	3100 (122.0)	3100 (122.0)	3100 (122.0)
	Ground clearance	mm (in)	G 255 (10.0)	275 (10.8)	270 (10.6)	255 (10.0)	255 (10.0)	255 (10.0)
Total weight	kg (lbs)	13250 (29211)	14370 (31680)	14680 (32364)	15900 (35060)	16750 (36927)	17110 (37721)	
Engine & Transmission	: model		ISUZU 6BG1T Diesel Engine					
	Internal combustion engine : piston displacement	lit. (in <sup>3</sup> )	6.494 (396.3)					
	: rated output / engine speed		114kW (155PS) / 2000r.p.m. (SAE GROSS 117kW (157HP) / 2000r.p.m.)					
	: maximum torque / engine speed		537N · m (54.8kgf · m) / 1800r.p.m.					
Transmission	: type		Automatic power-shift transmission					
	: number of speeds		3 - 3 (Fwd / Rvs)					
Tire & Brake	Tire size		9.00-20-14PR	10.00-20-16PR	10.00-20-16PR	11.00-20-16PR	11.00-20-16PR	11.00-20-18PR
	Brake : service		Air-over-hydraulic internal expansion					
	: parking		Built in transmission, wet multiple disc brake					
Steering system		Full hydrostatic power steering						

