

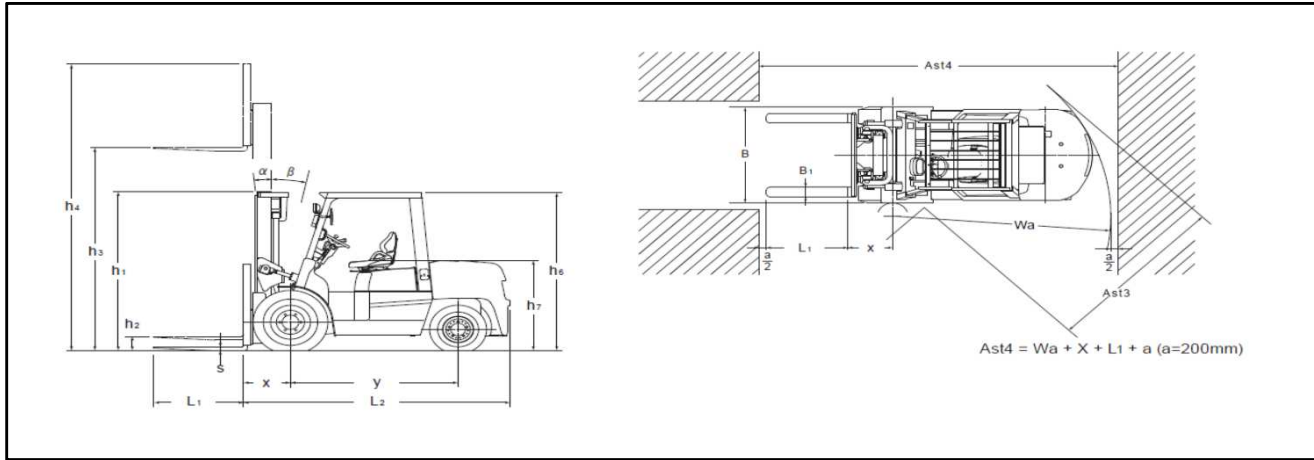
Gasoline-powered Forklift / Specification Sheet

FG35T3 FG40T3 FG45T3 FG50T3



Truck Dimensions & Mast Specifications

Truck Dimensions



Mast Specifications & Rated Capacities

FG35T3, FG40T3

Mast type	Mast name	Max. Fork Height (mm)	Tilt angle (deg.)	Overall mast height		Rated capacity (LC 600mm)		Service weight	
				Lowered (mm)	Raised with backrest (mm)	FG35T3 (kg)	FG40T3 (kg)	FG35T3 (kg)	FG40T3 (kg)
Wide view mast	VM250	2500	6 / 10	1980	3765	3500	4000	6010	6340
	VM300	3000	6 / 12	2230	4265	3500	4000	6070	6400
	VM330	3300	6 / 12	2380	4565	3500	4000	6100	6430
	VM350	3500	6 / 12	2480	4765	3500	4000	6120	6450
	VM375	3750	6 / 6 * 6 / 12	2605	5015	3500	4000	6190	6520
	VM400	4000	6 / 6 * 6 / 12	2780	5265	3500	4000	6240	6570
	VM425	4250	6 / 6 * 6 / 12	2905	5515	3500	4000	6270	6600
	VM450	4500	6 / 6 * 6 / 12	3030	5765	3500	4000	6290	6620
	VM475	4750	6 / 6	3155	6015	3500	4000	6350	6680
	VM500	5000	6 / 6	3280	6265	3500	4000	6370	6700
	VM550	5500	3 / 6	3580	6765	2800 * 3300	3200 * 3900	6450	6780
VM600	6000	3 / 6	3830	7265	2200 * 3200	2500 * 3700	6500	6830	
Wide view full-free 2 stage mast (VFM)	VFM250	2500	6 / 12	1985	3765	3500	4000	6210	6540
	VFM300	3000	6 / 12	2185	4265	3500	4000	6260	6590
	VFM330	3300	6 / 12	2385	4565	3500	4000	6320	6650
	VFM350	3500	6 / 12	2485	4765	3500	4000	6340	6670
	VFM375	3750	6 / 6 * 6 / 12	2610	5015	3500	4000	6380	6710
	VFM400	4000	6 / 6 * 6 / 12	2785	5265	3500	4000	6500	6830
	VFM425	4250	6 / 6 * 6 / 12	2910	5515	3500	4000	6540	6870
	VFM450	4500	6 / 6 * 6 / 12	3035	5765	3500	4000	6570	6900
	VFM475	4750	6 / 6	3160	6015	3500	4000	6600	6930
	VFM500	5000	6 / 6	3285	6265	3500	4000	6640	6970
	VFM550	5500	3 / 6	3585	6765	2800 * 3300	3200 * 3900	6770	7100
VFM600	6000	3 / 6	3835	7265	2200 * 3200	2500 * 3700	6830	7160	
Wide view full-free 3 stage mast (VFHM)	VFHM360	3600	6 / 6	1900	4865	3500	4000	6360	6690
	VFHM400	4000	6 / 6	2035	5265	3500	4000	6410	6740
	VFHM435	4350	6 / 6	2150	5615	3500	4000	6450	6780
	VFHM480	4800	6 / 6	2300	6065	3500	4000	6500	6830
	VFHM500	5000	6 / 6	2400	6265	3400	4000	6530	6860
	VFHM540	5400	3 / 6	2525	6665	3100 * 3300	3300 * 3900	6580	6910
	VFHM550	5500	3 / 6	2565	6765	2800 * 3300	3200 * 3800	6590	6920
	VFHM600	6000	3 / 6	2750	7265	2200 * 3200	2400 * 3700	6720	7050
	VFHM650	6500	* 3 / 3	2970	7765	* 2800	* 3100	6790	7120
VFHM700	7000	* 3 / 3	3135	8265	* 2400	* 2700	6840	7170	

NOTE: * Figures for double tires only.

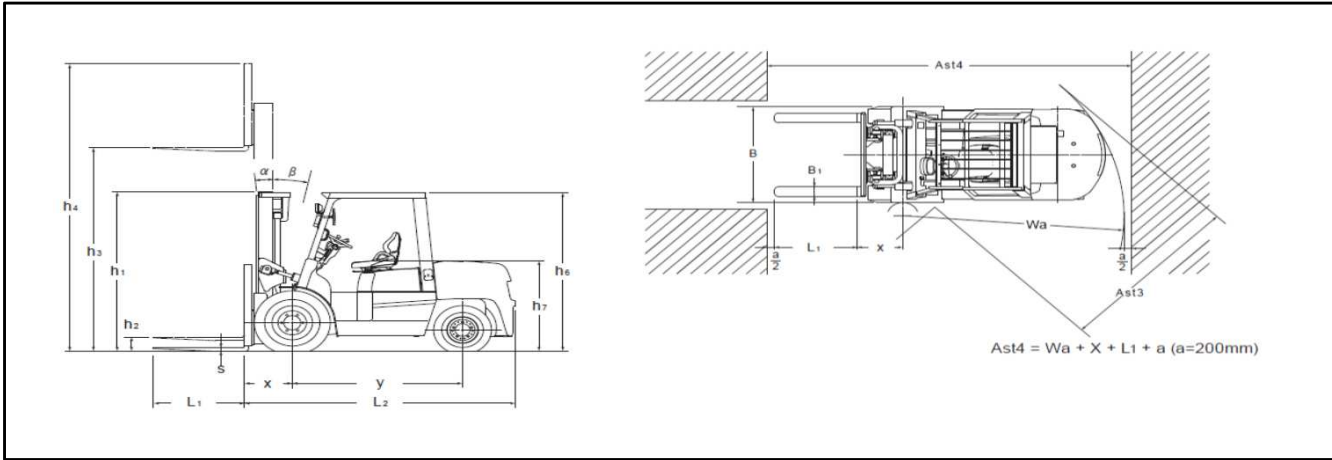
Main Truck Specifications

				UNICARRIERS	UNICARRIERS		
1	Manufacturer			UNICARRIERS	UNICARRIERS		
2	Model	Manufacturer's designation		FG35T3	FG40T3		
3	Capacity	Q	Rated Capacity	kg	3500 (4000)	4000 (4500)	
4	Load center	C	Distance	mm	600 (500)	600 (500)	
5	Power type	Electric (battery), diesel, gasoline			Gasoline	Gasoline	
6	Control type	Hand, pedestrian, stand-on, rider / seated			Rider / seated	Rider / seated	
7	Tire equipment	L=Pneumatic, V=Cushion front / rear			L / L	L / L	
8	Wheel (x=driven)	Number front / rear			2 x / 2	2 x / 2	
9	Lift telescopic	h3	Lift height	mm	3000	3000	
10		h2	Standard lift height	mm	150	150	
13	Fork size	L1	Length	mm	1070	1070	
		B1	Width	mm	150	150	
		S	Thickness	mm	50	50	
14	Tilt angle	α =Forward, β =Backward		°	6 / 12	6 / 12	
15	Overall dimensions	L2	Length to fork face	mm	3080	3110	
16		B	Width	mm	1480	1480	
17		h1	Height, upright lowered	mm	2230	2230	
18		h4	Height, upright extended	mm	4265	4265	
19		h6	Height, overhead guard	mm	2250	2250	
20		h7	Seat height	mm	1220	1220	
21	Turning radius	Wa			2790	2820	
22	Load distance	X	From center of front axle	mm	560	560	
23	Aisle width *	Ast3	Min. intersecting	mm	2650	2650	
		Ast4	Right angle stacking	mm	4750	4780	
24	Speed	Travel speed		Forward	km/h	26.0	26.0
				Reverse	km/h	19.5	19.5
Lift speed		With load	mm/s	540	540		
		Without load	mm/s	570	570		
26	Lowering speed		With load	mm/s	500	500	
			Without load	mm/s	550	550	
27	Max. drawbar pull	With load		kN	31.4	31.4	
		Without load		kN	17.6	17.6	
29	Gradeability	With load		%	25	25	
		Without load		%	20	20	
32	Service weight			kg	6070	6400	
33	Weight distribution	With load Load center 600mm		Front	kg	8400	9120
				Rear	kg	1170	1280
Without load		Front	kg	2870	2800		
		Rear	kg	3200	3600		
34							
35		Number front / rear			2 / 2	2 / 2	
36	Tires	Size		Front		300-15-18PR(I)	300-15-18PR(I)
				Rear		7.00-12-12PR(I)	7.00-12-12PR(I)
37							
38	Wheelbase	y		mm	2000	2000	
39	Tread	Center of tires		Front	mm	1180	1180
				Rear	mm	1195	1195
40	Ground clearance	At lowest point		mm	155	155	
41		Center of frame		mm	185	185	
42	Brakes	Mechanical / hydraulic / electronic			Hydraulic - foot pedal	Hydraulic - foot pedal	
43		Foot (pedal) / parking (hand)			Mechanical - hand lever	Mechanical - hand lever	
45	Battery	Number-volts / Ampere hours (capacity)		V-Ah	12 / 100	12 / 100	
49	Internal combustion engine	Manufacturer - model			GCT- TB45	GCT- TB45	
50		Rated output		kW	70.8	70.8	
		Rated rpm		rpm	2450	2450	
51		Torque		Nm/rpm	277 / 1600	277 / 1600	
52		Number of cylinders - Bore x stroke		mm	6 - 99.5 x 96.0	6 - 99.5 x 96.0	
		Displacement		cc	4478	4478	
55	Transmission	Type			Automatic	Automatic	
		Speed (forward/reverse)			2 / 1	2 / 1	
57	Working pressure	For attachment		MPa	180	180	

* Pallet size W: 1200mm L: 1200mm C: 200mm

Truck Dimensions & Mast Specifications

Truck Dimensions



Mast Specifications & Rated Capacities FG45T3, FG50T3

Mast type	Mast name	Max. Fork Height (mm)	Tilt angle (deg.)	Overall mast height				Rated capacity (LC 600mm)		Service weight	
				Lowered		Raised with backrest		F45T3 (kg)	FG50T3 (kg)	F45T3 (kg)	FG50T3 (kg)
				FG45T3 (mm)	FG50T3 (mm)	FG45T3 (mm)	FG50T3 (mm)				
Wide view mast	VM250	2500	6 / 10	1985	2110	3765	3920	4500	5000	6870	7170
	VM300	3000	6 / 12	2235	2360	4265	4420	4500	5000	6940	7240
	VM330	3300	6 / 12	2385	2510	4565	4720	4500	5000	6980	7280
	VM350	3500	6 / 12	2485	2610	4765	4920	4500	5000	7000	7300
	VM375	3750	6 / 6 * 6 / 12	2610	2735	5015	5170	4500	5000	7040	7340
	VM400	4000	6 / 6 * 6 / 12	2785	2910	5265	5420	4500	5000	7140	7440
	VM425	4250	6 / 6 * 6 / 12	2910	3035	5515	5670	4500	5000	7170	7470
	VM450	4500	6 / 6 * 6 / 12	3035	3160	5765	5920	4500	5000	7190	7490
	VM475	4750	6 / 6	3160	3285	6015	6170	4500	5000	7230	7530
	VM500	5000	6 / 6	3285	3410	6265	6420	4500	5000	7260	7560
	VM550	5500	3 / 6	3585	3710	6765	6920	4000 * 4400	4000 * 4800	7400	7700
VM600	6000	3 / 6	3835	3960	7265	7420	3550 * 4000	3350 * 4000	7460	7760	
Wide view full-free 2 stage mast (VFM)	VFM250	2500	6 / 12	1985	2110	3765	3920	4500	5000	6950	7260
	VFM300	3000	6 / 12	2235	2360	4265	4420	4500	5000	7020	7330
	VFM330	3300	6 / 12	2385	2510	4565	4720	4500	5000	7060	7370
	VFM350	3500	6 / 12	2485	2610	4765	4920	4500	5000	7090	7400
	VFM375	3750	6 / 6 * 6 / 12	2610	2735	5015	5170	4500	5000	7120	7430
	VFM400	4000	6 / 6 * 6 / 12	2785	2910	5265	5420	4500	5000	7250	7530
	VFM425	4250	6 / 6 * 6 / 12	2910	3035	5515	5670	4500	5000	7280	7560
	VFM450	4500	6 / 6 * 6 / 12	3035	3160	5765	5920	4500	5000	7310	7600
	VFM475	4750	6 / 6	3160	3285	6015	6170	4500	5000	7350	7630
	VFM500	5000	6 / 6	3285	3410	6265	6420	4500	5000	7380	7670
	VFM550	5500	3 / 6	3585	3710	6765	6920	4000 * 4400	4000 * 4800	7510	7800
VFM600	6000	3 / 6	3835	3960	7265	7420	3550 * 4000	3350 * 4000	7580	7870	
Wide view full-free 3 stage mast (VFHM)	VFHM360	3600	6 / 6	1970	2050	4860	5020	4500	4800	7160	7480
	VFHM400	4000	6 / 6	2105	2185	5260	5420	4500	4800	7210	7530
	VFHM435	4350	6 / 6	2220	2300	5610	5770	4500	4800	7250	7570
	VFHM480	4800	6 / 6	2370	2450	6060	6220	4500	4800	7300	7620
	VFHM500	5000	6 / 6	2470	2550	6260	6420	4400	4700	7330	7660
	VFHM540	5400	3 / 6	2595	2675	6660	6820	3300 * 4300	3500 * 4600	7380	7700
	VFHM550	5500	3 / 6	2635	2715	6760	6920	3200 * 4300	3400 * 4500	7390	7720
	VFHM600	6000	3 / 6	2820	2900	7260	7420	2400 * 3900	2500 * 4200	7520	7820
	VFHM650	6500	* 3 / 3	3040	3120	7760	7920	* 3300	* 3600	7600	7930
	VFHM700	7000	* 3 / 3	3205	3285	8260	8420	* 2900	* 3000	7660	8000

NOTE: * Figures for double tires.

Main Truck Specifications

				UNICARRIERS	UNICARRIERS
1	Manufacturer			UNICARRIERS	UNICARRIERS
2	Model	Manufacturer's designation		FG45T3	FG50T3
3	Capacity	Q	Rated Capacity	kg	4500 (5000)
4	Load center	C	Distance	mm	600 (500)
5	Power type	Electric (battery), diesel, gasoline		Gasoline	Gasoline
6	Control type	Hand, pedestrian, stand-on, rider / seated		Rider / seated	Rider / seated
7	Tire equipment	L=Pneumatic, V=Cushion front / rear		L / L	L / L
8	Wheel (x=driven)	Number front / rear		2 x / 2	2 x / 2
9	Lift telescopic	h3	Lift height	mm	3000
10		h2	Standard lift height	mm	155
13	Fork size	L1	Length	mm	1070
		B1	Width	mm	150
		S	Thickness	mm	55
14	Tilt angle	α =Forward, β =Backward		°	6 / 12
15	Overall dimensions	L2	Length to fork face	mm	3190
16		B	Width	mm	1480
17		h1	Height, upright lowered	mm	2235
18		h4	Height, upright extended	mm	4265
19		h6	Height, overhead guard	mm	2250
20		h7	Seat height	mm	1220
21	Turning radius	Wa			2860
22	Load distance	X	From center of front axle	mm	590
23	Aisle width *	Ast3	Min. intersecting	mm	2700
		Ast4	Right angle stacking	mm	4850
24	Speed	Travel speed		km/h	26.0
		Reverse		km/h	19.5
25	Lift speed	With load		mm/s	520
		Without load		mm/s	550
26	Lowering speed	With load		mm/s	450
		Without load		mm/s	500
27	Max. drawbar pull	With load		kN	31.4
		Without load		kN	18.6
29	Gradeability	With load		%	25
		Without load		%	20
32	Service weight			kg	6940
33	Weight distribution	With load		kg	10130
		Load center 600mm		Front	kg
Without load		Rear	kg	1260	
		Front	kg	2960	
34				Rear	kg
35		Number front / rear			2 / 2
36	Tires	Size		Front	300-15-18PR(I)
				Rear	7.00-12-14PR(I)
37					7.00-12-14PR(I)
38	Wheelbase	y		mm	2000
39	Tread	Center of tires		Front	mm
				Rear	mm
40	Ground clearance	At lowest point		mm	140
41		Center of frame		mm	185
42	Brakes	Mechanical / hydraulic / electronic			Hydraulic - foot pedal
43		Foot (pedal) / parking (hand)			Mechanical - hand lever
45	Battery	Number-volts / Ampere hours (capacity)		V-Ah	12 / 100
49	Internal combustion engine	Manufacturer - model			GCT- TB45
50		Rated output		kW	70.8
		Rated rpm		rpm	2450
51		Torque		Nm/rpm	277 / 1600
52		Number of cylinders - Bore x stroke		mm	6 - 99.5 x 96.0
	Displacement		cc	4478	
55	Transmission	Type			Automatic
		Speed (forward/reverse)			2 / 1
57	Working pressure	For attachment		MPa	180

* Pallet size W: 1200mm L: 1200mm C: 200mm

Standard Equipment / Optional Equipment & Accessories

Standard Equipment

- Automatic shifting T/M
- Suspension ORS seat with seat belt
- Centrifugal air cleaner
- Coolant recovery system
- Cylinder type bonnet latch with locking function
- Drawbar device
- Semi-integral power steering
- Full transistorized ignition (FTI)
- Heavy duty overhead guard
- Hi-visibility, wide view mast (VM300)
- Hydraulic oil dipstick
- ITA Class III & IV carriage
- J-lug long life tires
- Lift circuit cut-off valve
- Load backrest
- Load check valve
- Overhead air intake system
- Power-assisted brake
- Retaining rollers
- Return hydraulic filter
- Suction hydraulic strainer
- Tilt lock valve
- Transmission oil dipstick
- Transmission oil filter
- 1070mm forks (1220mm forks for FG50 T3)
- 2 spool control valve with pressure relief
- 3-way catalytic muffler
- Lift and tilt levers
- Electric shift control lever
- Multi-function switch lever (lighting and turn-signal)
- Parking brake
- Tilt adjustable steering post
- Access-assisted hand grip
- Back-up alarm buzzer
- Back-up lights
- Deluxe non-slip floor mat
- Document clip
- Document holder
- Electric horn
- Front combination lights (turn signal, clearance)
- Glove compartment / pen holder
- Head lights (traffic purpose)
- High-mounted rear combination lights
- Operator tool kit
- Side view mirrors
- Charge indicator
- Engine check indicator
- Engine oil pressure warning indicator
- Fuel gauge

Optional Equipment & Accessories

- Traveling interlock system
- Color tires (white, green) (TUW/TUG)
- Engine air precleaner (CAKB)
- Exhaust purify catalytic muffler (EPM)
- Front dual drive wheels (DD/SDD)
- Heater (HR)
- Heater & defroster (DEF)
- High profile overhead guard (2400mm) (HGH)
- Low profile overhead guard (2130mm) (HGL)
- Overhead exhaust muffler (TUE)
- Plate fin radiator (RAD PF)
- Radiator dust screen (fine, medium mesh) (DSR)
- Custom paint work
- Fire extinguisher (FE)
- Rear working light (left/right) (RWL)
- Rotating warning light (beacon, yellow/red) 'RLY/RLR)
- Steering cylinder boots (PSB)
- Tilt cylinder boots (TLB)
- Ammeter (AM)
- O.K. monitor (battery electrolyte level, coolant level, parking brake, seat belt) (OKM)
- Speedometer (SM)
- Torque converter oil pressure gauge (TPM)
- Torque converter oil temperature gauge (TTM)

Remarks

- Meets the following major standards and codes:
 - ISO22915-2 Counterbalanced Lift Trucks, Stability and Safety Test (Int'l)
 - JIS D6001 Industrial Lift Trucks (Japan)
 - ISO D6011 Stability & Safety Test (Japan)
- Overhead guard meets ISO 6055, JIS D6021
- UniCarriers Corporation retains the right to change the products and specifications without incurring any obligations to such change.
- These products and specifications are subject to change without prior notice.
- Photos and illustrations may or may not include optional equipment and accessories.
- Features and specifications may vary depending on markets.
- Performance data and dimensions are nominal and subject to tolerances.

